

2 Yard Rear Load Trash Dumpster with casters

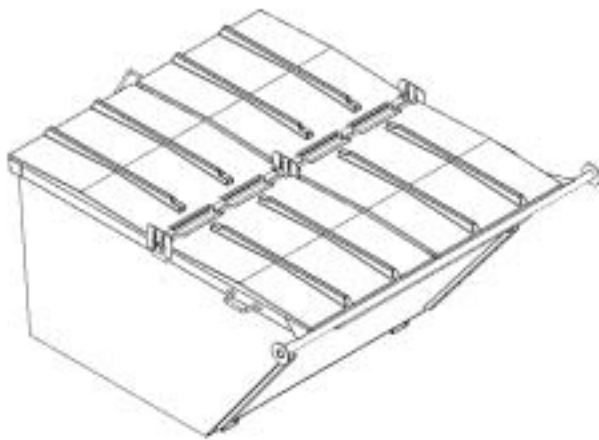
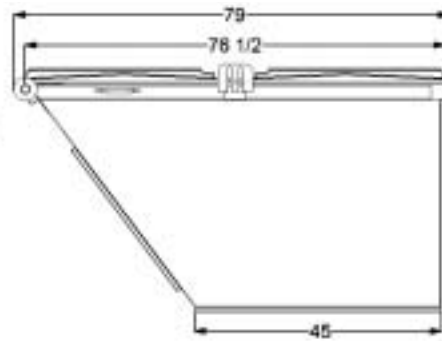
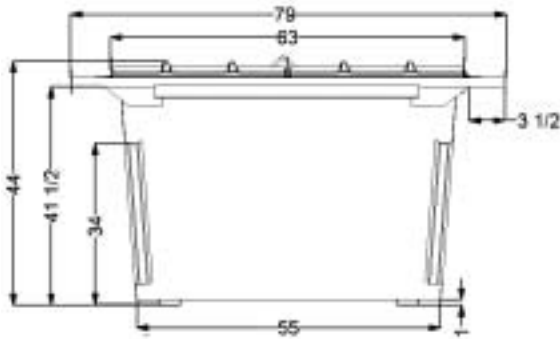
2 Yard Rear Load

SPECIFICATIONS	LIGHTWEIGHT	STANDARD	HEAVY DUTY	SUPER HEAVY DUTY
Floors	12 gauge	10 gauge	7 gauge	7 gauge
Walls	12 gauge	12 gauge	10 gauge	7 gauge
Back Rail	7 gauge	7 gauge	7 gauge	7 gauge
Side Rail	10 gauge	10 gauge	10 gauge	10 gauge
Floor Channel Support	3" Structural Channel Full Length	3" Structural Channel Full Length	3" Structural Channel Full Length	3" Structural Channel Full Length
Lid Brackets	7 gauge & Sch. 40 pipe	7 gauge & Sch. 40 pipe	7 gauge & Sch. 40 pipe	7 gauge & Sch. 40 pipe
Rod Used on Lids	9/16"	9/16"	9/16"	9/16"
Lids-Plastic	Double Wall	Double Wall	Double Wall	Double Wall
Trunnion Bar	1 1/2" Sch. 80 pipe	1 1/2" Sch. 80 pipe	1 1/2" Sch. 80 pipe	1 1/2" Sch. 80 pipe
Casters	4 - 5" Steel Swivel	4 - 5" Steel Swivel	4 - 5" Steel Swivel	4 - 5" Steel Swivel
Lids	2 Lids 31" * 44"	2 Lids 31" * 44"	2 Lids 31" * 44"	2 Lids 31" * 44"
Cans Per Load	90	90	90	90
Weight (pounds)	358	374	486	595

- Centrally located for efficient shipping
- Discounts available on quantity orders
- Units primed and painted with industrial enamel paint
- Caution and Danger Labels included

CALL TODAY FOR INFORMATION TOLL FREE 888-826-5401

VULCAN MANUFACTURING, INC.
1007 W. North St. • Salina, Kansas 67401 • Fax 785-825-1996
sales@vmidumpsters.com • www.vmidumpsters.com



3 Yard Rear Load Trash Dumpster with casters

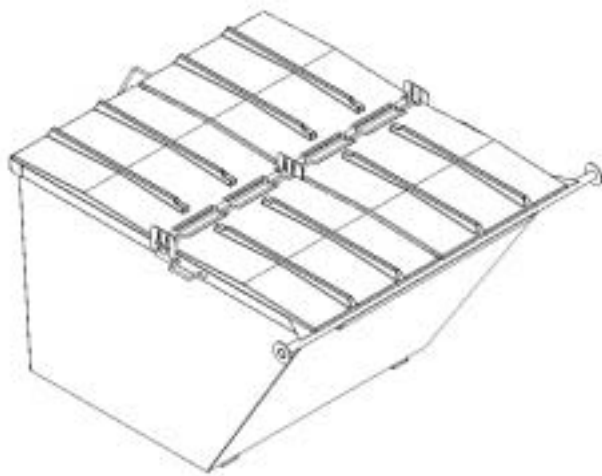
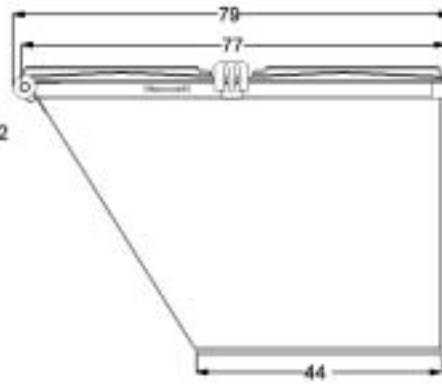
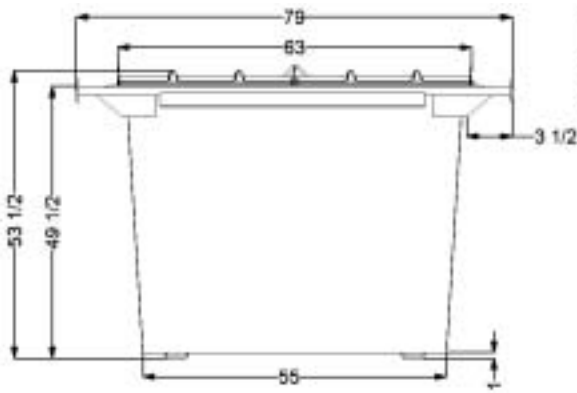
3 Yard Rear Load

SPECIFICATIONS	LIGHTWEIGHT	STANDARD	HEAVY DUTY	SUPER HEAVY DUTY
Floors	12 gauge	10 gauge	7 gauge	7 gauge
Walls	12 gauge	12 gauge	10 gauge	7 gauge
Back Rail	7 gauge	7 gauge	7 gauge	7 gauge
Side Rail	10 gauge	10 gauge	10 gauge	10 gauge
Floor Channel Support	3" Structural Channel Full Length	3" Structural Channel Full Length	3" Structural Channel Full Length	3" Structural Channel Full Length
Lid Brackets	7 gauge	7 gauge	7 gauge	7 gauge
Rod Used on Lids	9/16"	9/16"	9/16"	9/16"
Lids-Plastic	Double Wall	Double Wall	Double Wall	Double Wall
Trunnion Bar	1 1/2" Sch. 80 pipe	1 1/2" Sch. 80 pipe	1 1/2" Sch. 80 pipe	1 1/2" Sch. 80 pipe
Casters	4 - 5" Steel Swivel	4 - 5" Steel Swivel	4 - 5" Steel Swivel	4 - 5" Steel Swivel
Lids	4 Lids 31" * 37"	4 Lids 31" * 37"	4 Lids 31" * 37"	4 Lids 31" * 37"
Cans Per Load	52	52	52	52
Weight (pounds)	487	508	631	795

- Centrally located for efficient shipping
- Discounts available on quantity orders
- Units primed and painted with industrial enamel paint
- Caution and Danger Labels included

CALL TODAY FOR INFORMATION TOLL FREE **888-826-5401**

VULCAN MANUFACTURING, INC.
1007 W. North St. • Salina, Kansas 67401 • Fax 785-825-1996
sales@vmidumpsters.com • www.vmidumpsters.com



4 Yard Rear Load Trash Dumpster with casters

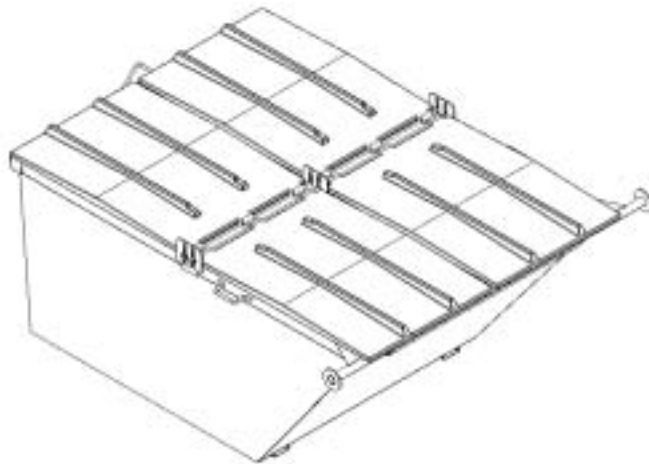
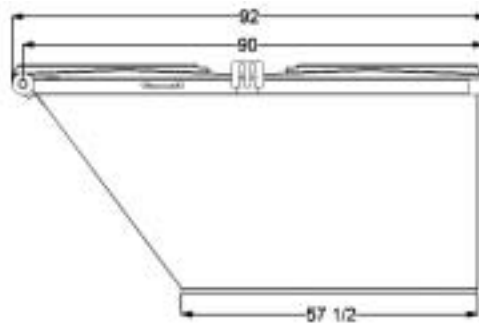
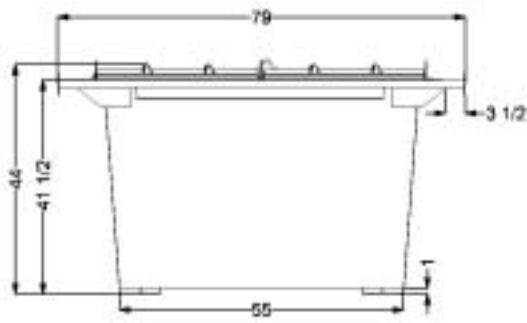
4 Yard Rear Load

SPECIFICATIONS	LIGHTWEIGHT	STANDARD	HEAVY DUTY	SUPER HEAVY DUTY
Floors	12 gauge	10 gauge	7 gauge	7 gauge
Walls	12 gauge	12 gauge	10 gauge	7 gauge
Back Rail	7 gauge	7 gauge	7 gauge	7 gauge
Side Rail	10 gauge	10 gauge	10 gauge	10 gauge
Floor Channel Support	3" Structural Channel Full Length	3" Structural Channel Full Length	3" Structural Channel Full Length	3" Structural Channel Full Length
Lid Brackets	7 gauge	7 gauge	7 gauge	7 gauge
Rod Used on Lids	9/16"	9/16"	9/16"	9/16"
Lids-Plastic	Double Wall	Double Wall	Double Wall	Double Wall
Trunnion Bar	1 1/2" Sch. 80 pipe	1 1/2" Sch. 80 pipe	1 1/2" Sch. 80 pipe	1 1/2" Sch. 80 pipe
Casters	4 - 5" Steel Swivel	4 - 5" Steel Swivel	4 - 5" Steel Swivel	4 - 5" Steel Swivel
Lids	4 Lids 31" * 44"	4 Lids 31" * 44"	4 Lids 31" * 44"	4 Lids 31" * 44"
Cans Per Load	52	52	52	52
Weight (pounds)	536	564	708	887

- Centrally located for efficient shipping
- Discounts available on quantity orders
- Units primed and painted with industrial enamel paint
- Caution and Danger Labels included

CALL TODAY FOR INFORMATION TOLL FREE 888-826-5401

VULCAN MANUFACTURING, INC.
 1007 W. North St. • Salina, Kansas 67401 • Fax 785-825-1996
 sales@vmidumpsters.com • www.vmidumpsters.com



4 Yard Tall Rear Load Trash Dumpster

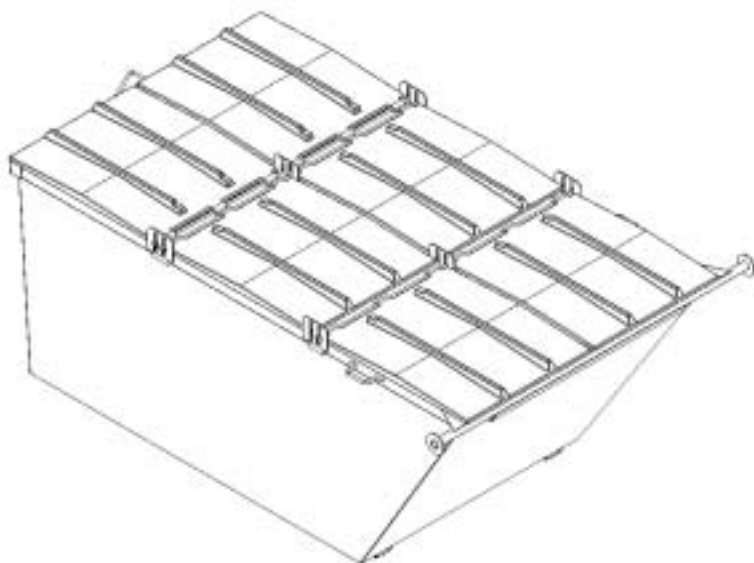
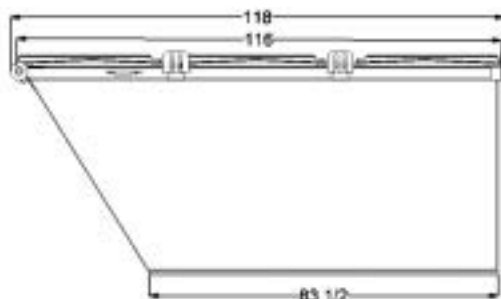
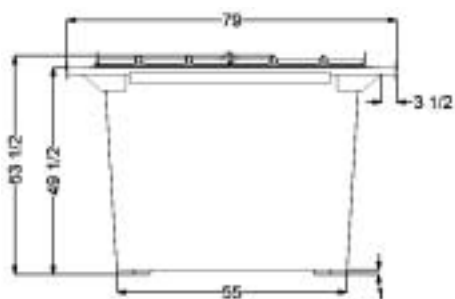
4 Yard Tall Rear Load

SPECIFICATIONS	LIGHTWEIGHT	STANDARD	HEAVY DUTY	SUPER HEAVY DUTY
Floors	12 gauge	10 gauge	7 gauge	7 gauge
Walls	12 gauge	12 gauge	10 gauge	7 gauge
Back Rail	7 gauge	7 gauge	7 gauge	7 gauge
Side Rail	10 gauge	10 gauge	10 gauge	10 gauge
Floor Channel Support	3" Structural Channel Full Length	3" Structural Channel Full Length	3" Structural Channel Full Length	3" Structural Channel Full Length
Lid Brackets	7 gauge	7 gauge	7 gauge	7 gauge
Rod Used on Lids	9/16"	9/16"	9/16"	9/16"
Lids-Plastic	Double Wall	Double Wall	Double Wall	Double Wall
Trunnion Bar	1 1/2" Sch. 80 pipe	1 1/2" Sch. 80 pipe	1 1/2" Sch. 80 pipe	1 1/2" Sch. 80 pipe
Lids	4 Lids 31" * 37"	4 Lids 31" * 37"	4 Lids 31" * 37"	4 Lids 31" * 37"
Cans Per Load	52	52	52	52
Weight (pounds)	528	549	688	872

- Centrally located for efficient shipping
- Discounts available on quantity orders
- Units primed and painted with industrial enamel paint
- Caution and Danger Labels included

CALL TODAY FOR INFORMATION TOLL FREE 888-826-5401

VULCAN MANUFACTURING, INC.
1007 W. North St. • Salina, Kansas 67401 • Fax 785-825-1996
sales@vmidumpsters.com • www.vmidumpsters.com



6 Yard Rear Load Trash Dumpster

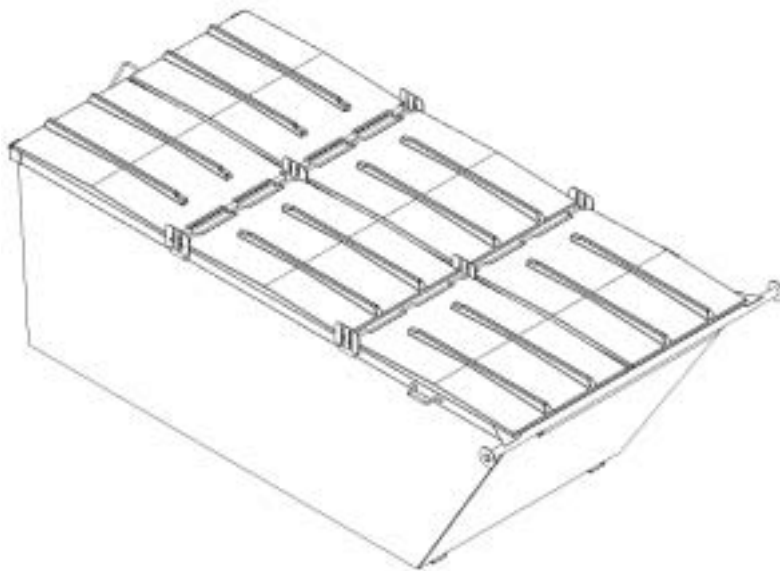
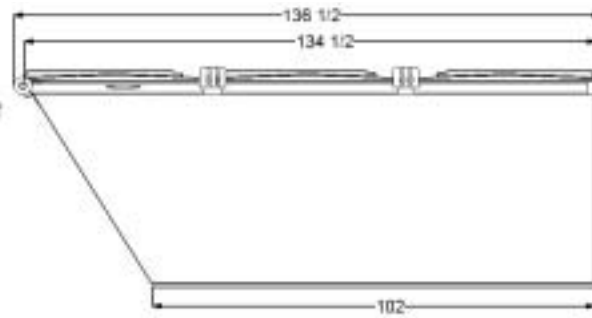
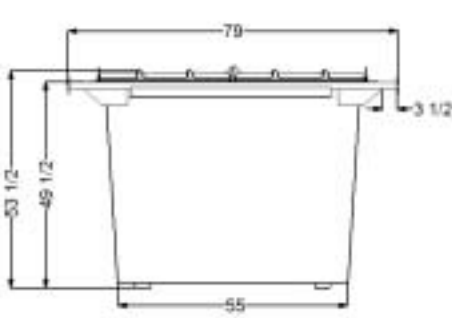
6 Yard Rear Load

SPECIFICATIONS	LIGHTWEIGHT	STANDARD	HEAVY DUTY	SUPER HEAVY DUTY
Floors	12 gauge	10 gauge	7 gauge	7 gauge
Walls	12 gauge	12 gauge	10 gauge	7 gauge
Back Rail	7 gauge	7 gauge	7 gauge	7 gauge
Side Rail	10 gauge	10 gauge	10 gauge	10 gauge
Floor Channel Support	3" Structural Channel Full Length	3" Structural Channel Full Length	3" Structural Channel Full Length	3" Structural Channel Full Length
Lid Brackets	7 gauge	7 gauge	7 gauge	7 gauge
Rod Used on Lids	9/16"	9/16"	9/16"	9/16"
Lids-Plastic	Double Wall	Double Wall	Double Wall	Double Wall
Trunnion Bar	1 1/2" Sch. 80 pipe	1 1/2" Sch. 80 pipe	1 1/2" Sch. 80 pipe	1 1/2" Sch. 80 pipe
Lids	6 Lids 31" * 37"	6 Lids 31" * 37"	6 Lids 31" * 37"	6 Lids 31" * 37"
Cans Per Load	30	30	30	30
Weight (pounds)	751	791	994	1244

- Centrally located for efficient shipping
- Discounts available on quantity orders
- Units primed and painted with industrial enamel paint
- Caution and Danger Labels included

CALL TODAY FOR INFORMATION TOLL FREE 888-826-5401

VULCAN MANUFACTURING, INC.
 1007 W. North St. • Salina, Kansas 67401 • Fax 785-825-1996
 sales@vmidumpsters.com • www.vmidumpsters.com



8 Yard Rear Load Trash Dumpster

8 Yard Rear Load

SPECIFICATIONS	LIGHTWEIGHT	STANDARD	HEAVY DUTY	SUPER HEAVY DUTY
Floors	12 gauge	10 gauge	7 gauge	7 gauge
Walls	12 gauge	12 gauge	10 gauge	7 gauge
Back Rail	7 gauge	7 gauge	7 gauge	7 gauge
Side Rail	10 gauge	10 gauge	10 gauge	10 gauge
Floor Channel Support	3" Structural Channel Full Length	3" Structural Channel Full Length	3" Structural Channel Full Length	3" Structural Channel Full Length
Lid Brackets	7 gauge	7 gauge	7 gauge	7 gauge
Rod Used on Lids	9/16"	9/16"	9/16"	9/16"
Lids-Plastic	Double Wall	Double Wall	Double Wall	Double Wall
Trunnion Bar	1 1/2" Sch. 80 pipe	1 1/2" Sch. 80 pipe	1 1/2" Sch. 80 pipe	1 1/2" Sch. 80 pipe
Lids	6 Lids 31" * 44"	6 Lids 31" * 44"	6 Lids 31" * 44"	6 Lids 31" * 44"
Cans Per Load	23	23	23	23
Weight (pounds)	849	898	1133	1412

- Centrally located for efficient shipping
- Discounts available on quantity orders
- Units primed and painted with industrial enamel paint
- Caution and Danger Labels included

CALL TODAY FOR INFORMATION TOLL FREE 888-826-5401

VULCAN MANUFACTURING, INC.
 1007 W. North St. • Salina, Kansas 67401 • Fax 785-825-1996
 sales@vmidumpsters.com • www.vmidumpsters.com