

10 Yard Sliding Door Trash Dumpster

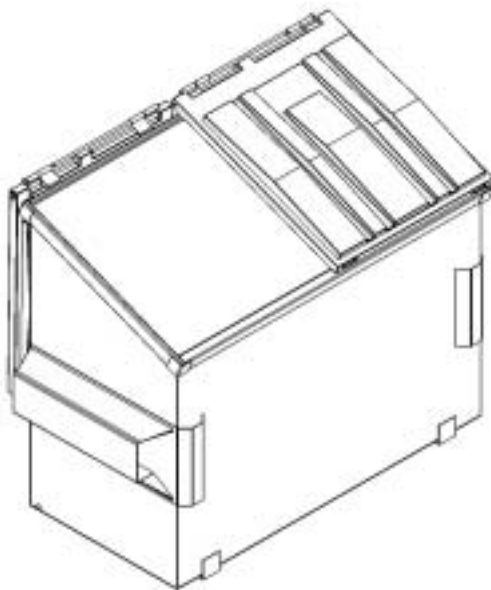
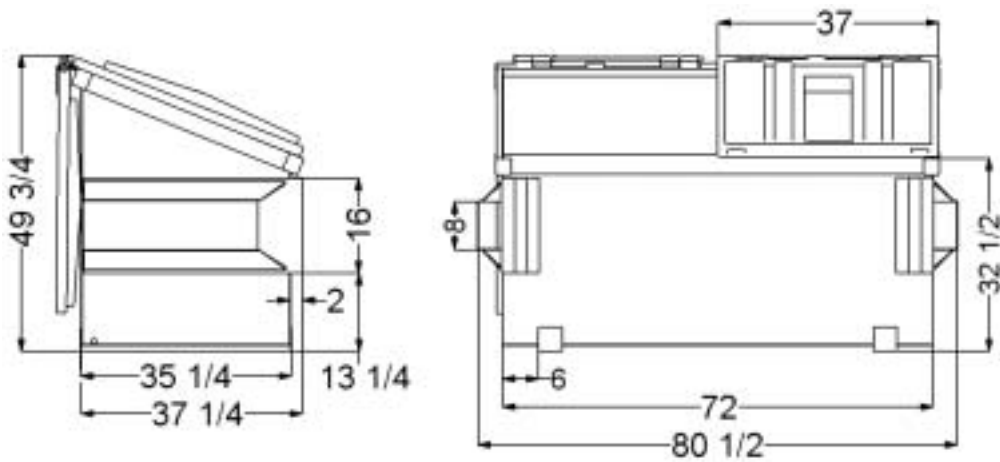
10 Yard Sliding Door

SPECIFICATIONS	LIGHTWEIGHT	STANDARD	HEAVY DUTY	SUPER HEAVY DUTY
Floors	12 gauge	10 gauge	7 gauge	7 gauge
Walls	12 gauge	12 gauge	10 gauge	7 gauge
Front, Rear and Side Top Rails	10 gauge	10 gauge	10 gauge	7 gauge
Lift Pocket	10 gauge	10 gauge	10 gauge	7 gauge
Blunderbuss	10 gauge	10 gauge	10 gauge	7 gauge
Lift Pocket Gussets	Full Length Top and Bottom	Full Length Top and Bottom	Full Length Top and Bottom	Full Length Top and Bottom
Lid Brackets	½" Sch. 40 pipe ¼" bracket	½" Sch. 40 pipe ¼" bracket	½" Sch. 40 pipe ¼" bracket	½" Sch. 40 pipe ¼" bracket
Door Track Channel	10 gauge	10 gauge	10 gauge	7 gauge
Floor Support	3" Structural Channel Full Length	3" Structural Channel Full Length	3" Structural Channel Full Length	3" Structural Channel Full Length
Lids-Plastic	Double Wall	Double Wall	Double Wall	Double Wall
Weight (pounds)	1,137	1,187	1,438	1,722

- Centrally located for efficient shipping
- Discounts available on quantity orders
- Units primed and painted with industrial enamel paint
- Caution and Danger Labels included

CALL TODAY FOR INFORMATION TOLL FREE **888-826-5401**

VULCAN MANUFACTURING, INC.
1007 W. North St. • Salina, Kansas 67401 • Fax 785-825-1996
sales@vmidumpsters.com • www.vmidumpsters.com



2 Yard Trash Dumpster

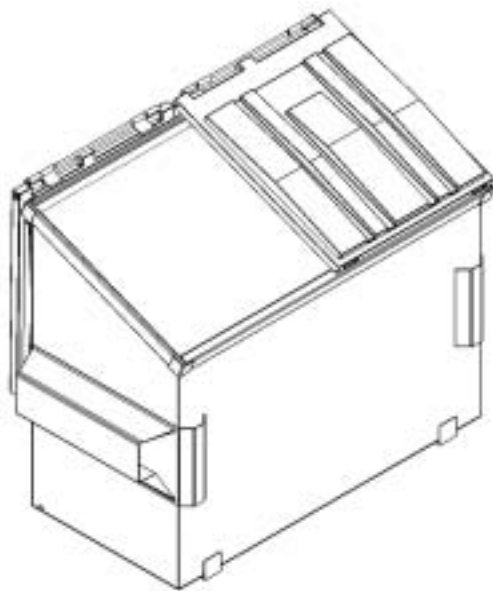
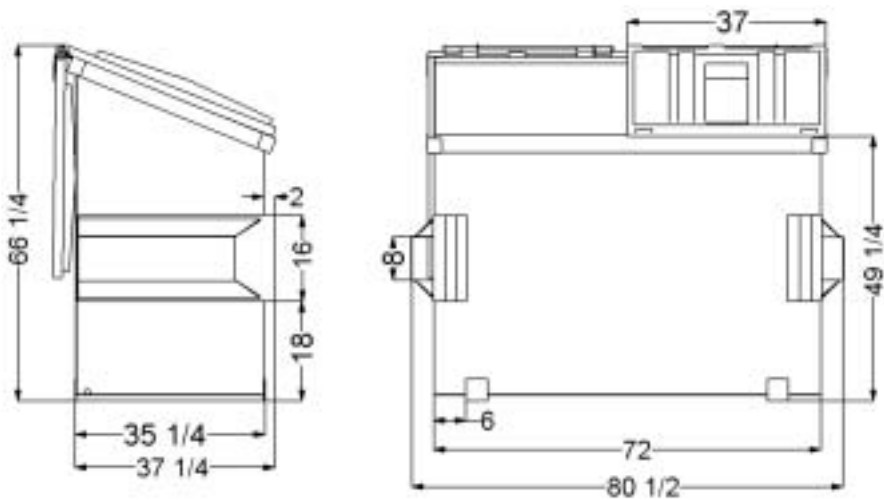
2 Yard

SPECIFICATIONS	LIGHTWEIGHT	STANDARD	HEAVY DUTY	SUPER HEAVY DUTY
Floors	12 gauge	10 gauge	7 gauge	7 gauge
Walls	12 gauge	12 gauge	10 gauge	7 gauge
Front, Rear and Side Top Rails	10 gauge	10 gauge	10 gauge	7 gauge
Lift Pocket	10 gauge	10 gauge	10 gauge	7 gauge
Blunderbuss	10 gauge	10 gauge	10 gauge	7 gauge
Lift Pocket Gussets	Full Length Top and Bottom	Full Length Top and Bottom	Full Length Top and Bottom	Full Length Top and Bottom
Lid Brackets	1/2" Sch. 40 pipe 1/4" bracket	1/2" Sch. 40 pipe 1/4" bracket	1/2" Sch. 40 pipe 1/4" bracket	1/2" Sch. 40 pipe 1/4" bracket
Floor Support	3" Structural Channel Full Length	3" Structural Channel Full Length	3" Structural Channel Full Length	3" Structural Channel Full Length
Lids-Plastic	Double Wall	Double Wall	Double Wall	Double Wall
Weight (pounds)	503	525	634	757

- Centrally located for efficient shipping
- Discounts available on quantity orders
- Units primed and painted with industrial enamel paint
- Caution and Danger Labels included

CALL TODAY FOR INFORMATION TOLL FREE 888-826-5401

VULCAN MANUFACTURING, INC.
 1007 W. North St. • Salina, Kansas 67401 • Fax 785-825-1996
 sales@vmidumpsters.com • www.vmidumpsters.com



3 Yard Trash Dumpster

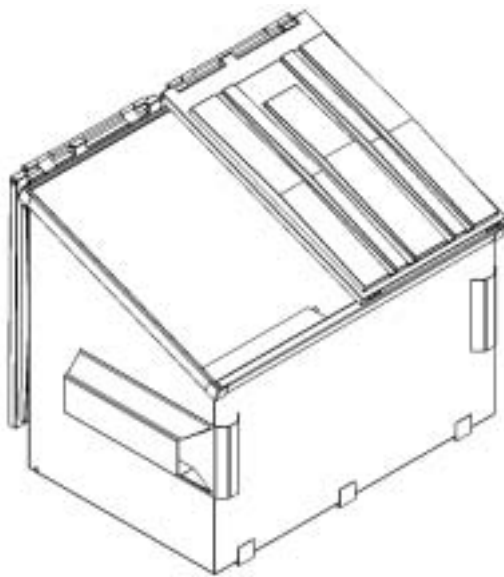
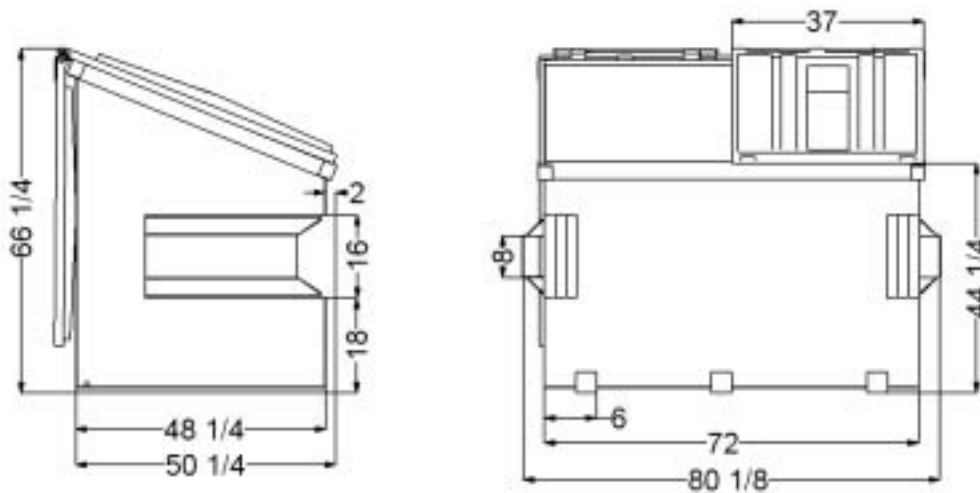
3 Yard

SPECIFICATIONS	LIGHTWEIGHT	STANDARD	HEAVY DUTY	SUPER HEAVY DUTY
Floors	12 gauge	10 gauge	7 gauge	7 gauge
Walls	12 gauge	12 gauge	10 gauge	7 gauge
Front, Rear and Side Top Rails	10 gauge	10 gauge	10 gauge	7 gauge
Lift Pocket	10 gauge	10 gauge	10 gauge	7 gauge
Blunderbuss	10 gauge	10 gauge	10 gauge	7 gauge
Lift Pocket Gussets	Full Length Top and Bottom	Full Length Top and Bottom	Full Length Top and Bottom	Full Length Top and Bottom
Lid Brackets	1/2" Sch. 40 pipe 1/4" bracket	1/2" Sch. 40 pipe 1/4" bracket	1/2" Sch. 40 pipe 1/4" bracket	1/2" Sch. 40 pipe 1/4" bracket
Floor Support	3" Structural Channel Full Length	3" Structural Channel Full Length	3" Structural Channel Full Length	3" Structural Channel Full Length
Lids-Plastic	Double Wall	Double Wall	Double Wall	Double Wall
Weight (pounds)	602	624	769	946

- Centrally located for efficient shipping
- Discounts available on quantity orders
- Units primed and painted with industrial enamel paint
- Caution and Danger Labels included

CALL TODAY FOR INFORMATION TOLL FREE **888-826-5401**

VULCAN MANUFACTURING, INC.
1007 W. North St. • Salina, Kansas 67401 • Fax 785-825-1996
sales@vmidumpsters.com • www.vmidumpsters.com



4 Yard Trash Dumpster

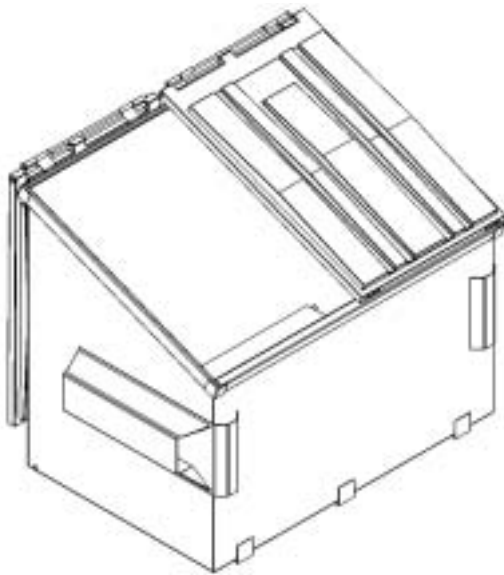
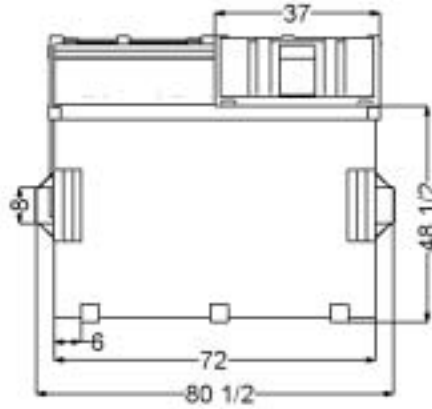
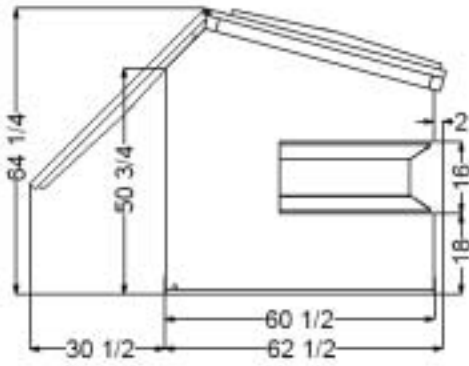
4 Yard

SPECIFICATIONS	LIGHTWEIGHT	STANDARD	HEAVY DUTY	SUPER HEAVY DUTY
Floors	12 gauge	10 gauge	7 gauge	7 gauge
Walls	12 gauge	12 gauge	10 gauge	7 gauge
Front, Rear and Side Top Rails	10 gauge	10 gauge	10 gauge	7 gauge
Lift Pocket	10 gauge	10 gauge	10 gauge	7 gauge
Blunderbuss	10 gauge	10 gauge	10 gauge	7 gauge
Lift Pocket Gussets	Full Length Top and Bottom	Full Length Top and Bottom	Full Length Top and Bottom	Full Length Top and Bottom
Lid Brackets	1/2" Sch. 40 pipe 1/4" bracket	1/2" Sch. 40 pipe 1/4" bracket	1/2" Sch. 40 pipe 1/4" bracket	1/2" Sch. 40 pipe 1/4" bracket
Floor Support	3" Structural Channel Full Length	3" Structural Channel Full Length	3" Structural Channel Full Length	3" Structural Channel Full Length
Lids-Plastic	Double Wall	Double Wall	Double Wall	Double Wall
Weight (pounds)	674	704	865	1,053

- Centrally located for efficient shipping
- Discounts available on quantity orders
- Units primed and painted with industrial enamel paint
- Caution and Danger Labels included

CALL TODAY FOR INFORMATION TOLL FREE 888-826-5401

VULCAN MANUFACTURING, INC.
 1007 W. North St. • Salina, Kansas 67401 • Fax 785-825-1996
 sales@vmidumpsters.com • www.vmidumpsters.com



5 Yard Slant Top Trash Dumpster

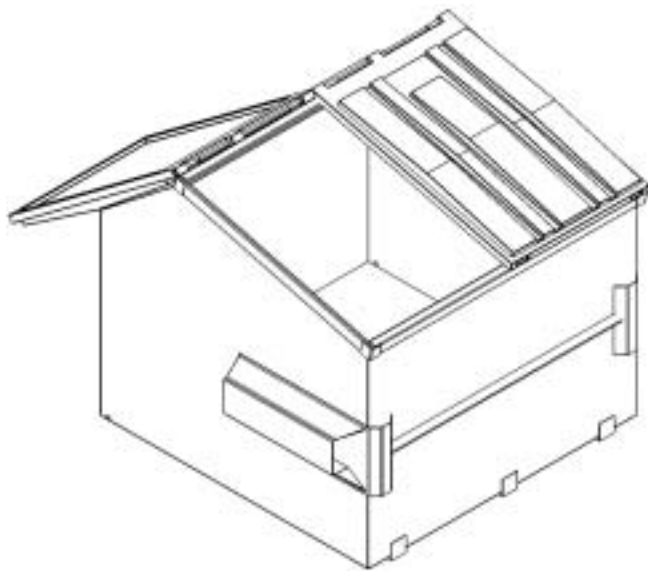
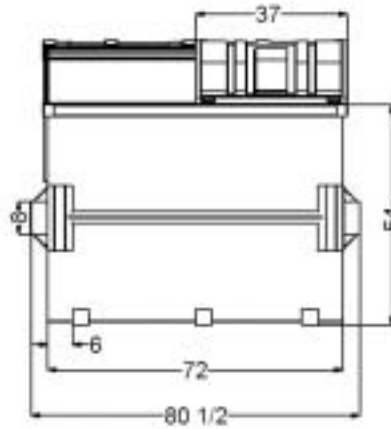
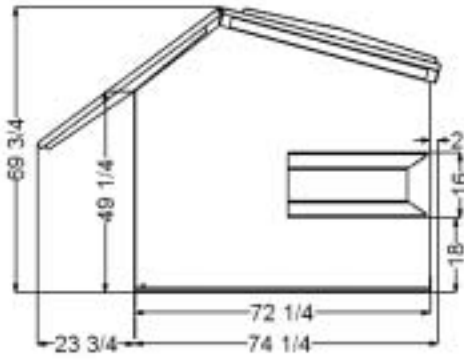
5 Yard Slant Top

SPECIFICATIONS	LIGHTWEIGHT	STANDARD	HEAVY DUTY	SUPER HEAVY DUTY
Floors	12 gauge	10 gauge	7 gauge	7 gauge
Walls	12 gauge	12 gauge	10 gauge	7 gauge
Front, Rear and Side Top Rails	10 gauge	10 gauge	10 gauge	7 gauge
Lift Pocket	10 gauge	10 gauge	10 gauge	7 gauge
Blunderbuss	10 gauge	10 gauge	10 gauge	7 gauge
Lift Pocket Gussets	Full Length Top and Bottom	Full Length Top and Bottom	Full Length Top and Bottom	Full Length Top and Bottom
Lid Brackets	1/2" Sch. 40 pipe 1/4" bracket	1/2" Sch. 40 pipe 1/4" bracket	1/2" Sch. 40 pipe 1/4" bracket	1/2" Sch. 40 pipe 1/4" bracket
Floor Support	3" Structural Channel Full Length	3" Structural Channel Full Length	3" Structural Channel Full Length	3" Structural Channel Full Length
Lids-Plastic	Double Wall	Double Wall	Double Wall	Double Wall
Weight (pounds)	766	804	995	1,212

- Centrally located for efficient shipping
- Discounts available on quantity orders
- Units primed and painted with industrial enamel paint
- Caution and Danger Labels included

CALL TODAY FOR INFORMATION TOLL FREE 888-826-5401

VULCAN MANUFACTURING, INC.
 1007 W. North St. • Salina, Kansas 67401 • Fax 785-825-1996
 sales@vmidumpsters.com • www.vmidumpsters.com



6 Yard Slant Top Trash Dumpster

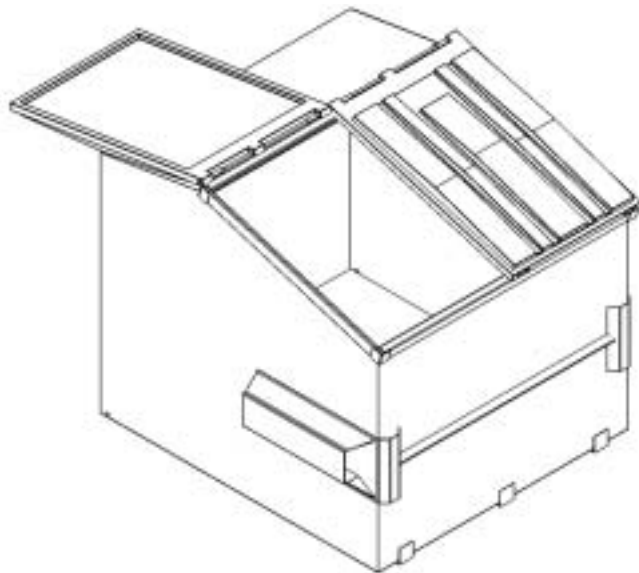
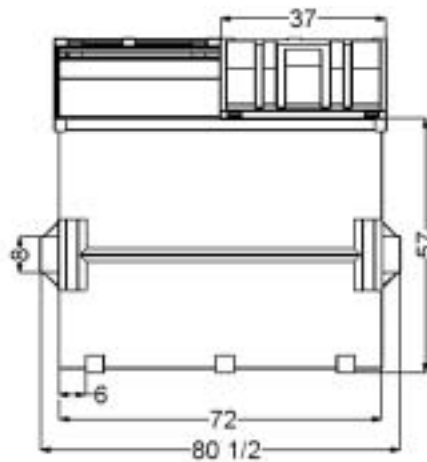
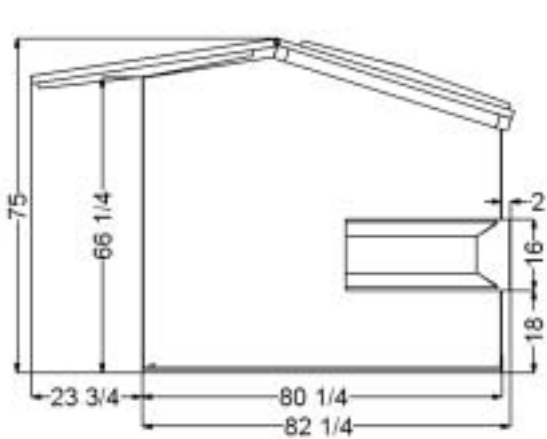
6 Yard Slant Top

SPECIFICATIONS	LIGHTWEIGHT	STANDARD	HEAVY DUTY	SUPER HEAVY DUTY
Floors	12 gauge	10 gauge	7 gauge	7 gauge
Walls	12 gauge	12 gauge	10 gauge	7 gauge
Front, Rear and Side Top Rails	10 gauge	10 gauge	10 gauge	7 gauge
Lift Pocket	10 gauge	10 gauge	10 gauge	7 gauge
Blunderbuss	10 gauge	10 gauge	10 gauge	7 gauge
Lift Pocket Gussets	Full Length Top and Bottom	Full Length Top and Bottom	Full Length Top and Bottom	Full Length Top and Bottom
Lid Brackets	1/2" Sch. 40 pipe 1/4" bracket	1/2" Sch. 40 pipe 1/4" bracket	1/2" Sch. 40 pipe 1/4" bracket	1/2" Sch. 40 pipe 1/4" bracket
Floor Support	3" Structural Channel Full Length	3" Structural Channel Full Length	3" Structural Channel Full Length	3" Structural Channel Full Length
Lids-Plastic	Double Wall	Double Wall	Double Wall	Double Wall
Weight (pounds)	905	950	1,179	1,442

- Centrally located for efficient shipping
- Discounts available on quantity orders
- Units primed and painted with industrial enamel paint
- Caution and Danger Labels included

CALL TODAY FOR INFORMATION TOLL FREE 888-826-5401

VULCAN MANUFACTURING, INC.
 1007 W. North St. • Salina, Kansas 67401 • Fax 785-825-1996
 sales@vmidumpsters.com • www.vmidumpsters.com



8 Yard Slant Top Trash Dumpster

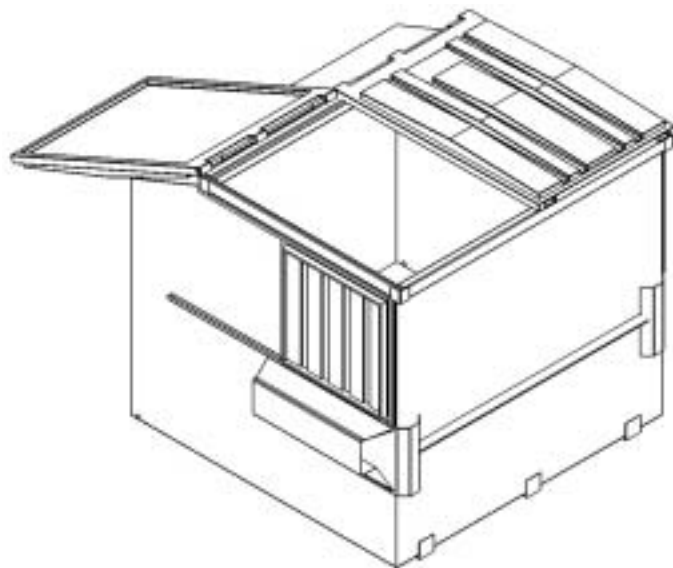
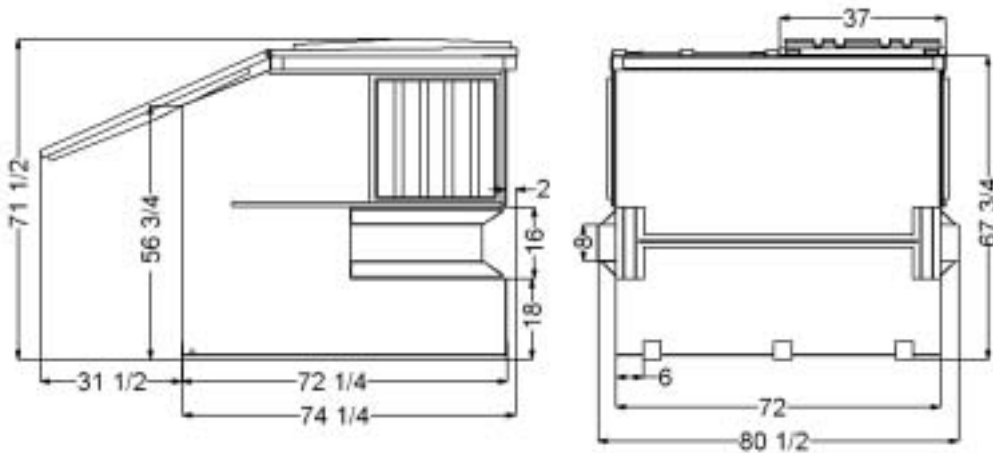
8 Yard Slant Top

SPECIFICATIONS	LIGHTWEIGHT	STANDARD	HEAVY DUTY	SUPER HEAVY DUTY
Floors	12 gauge	10 gauge	7 gauge	7 gauge
Walls	12 gauge	12 gauge	10 gauge	7 gauge
Front, Rear and Side Top Rails	10 gauge	10 gauge	10 gauge	7 gauge
Lift Pocket	10 gauge	10 gauge	10 gauge	7 gauge
Blunderbuss	10 gauge	10 gauge	10 gauge	7 gauge
Lift Pocket Gussets	Full Length Top and Bottom	Full Length Top and Bottom	Full Length Top and Bottom	Full Length Top and Bottom
Lid Brackets	1/2" Sch. 40 pipe 1/4" bracket	1/2" Sch. 40 pipe 1/4" bracket	1/2" Sch. 40 pipe 1/4" bracket	1/2" Sch. 40 pipe 1/4" bracket
Floor Support	3" Structural Channel Full Length	3" Structural Channel Full Length	3" Structural Channel Full Length	3" Structural Channel Full Length
Lids-Plastic	Double Wall	Double Wall	Double Wall	Double Wall
Weight (pounds)	1,045	1,095	1,326	1,577

- Centrally located for efficient shipping
- Discounts available on quantity orders
- Units primed and painted with industrial enamel paint
- Caution and Danger Labels included

CALL TODAY FOR INFORMATION TOLL FREE **888-826-5401**

VULCAN MANUFACTURING, INC.
1007 W. North St. • Salina, Kansas 67401 • Fax 785-825-1996
sales@vmidumpsters.com • www.vmidumpsters.com



6 Yard Sliding Door Trash Dumpster

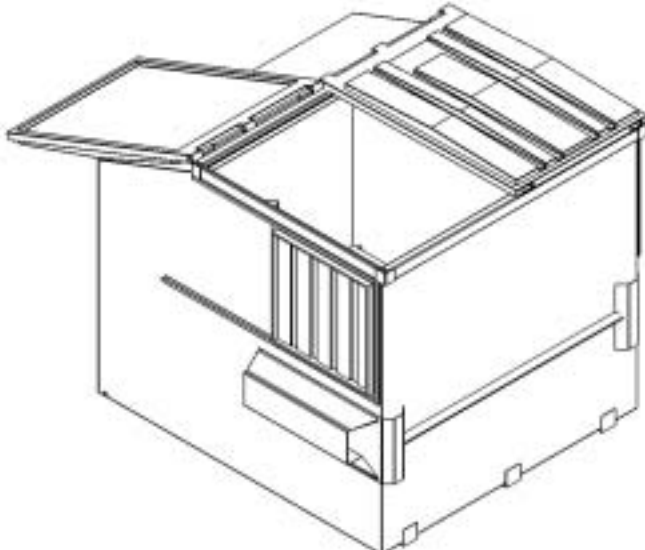
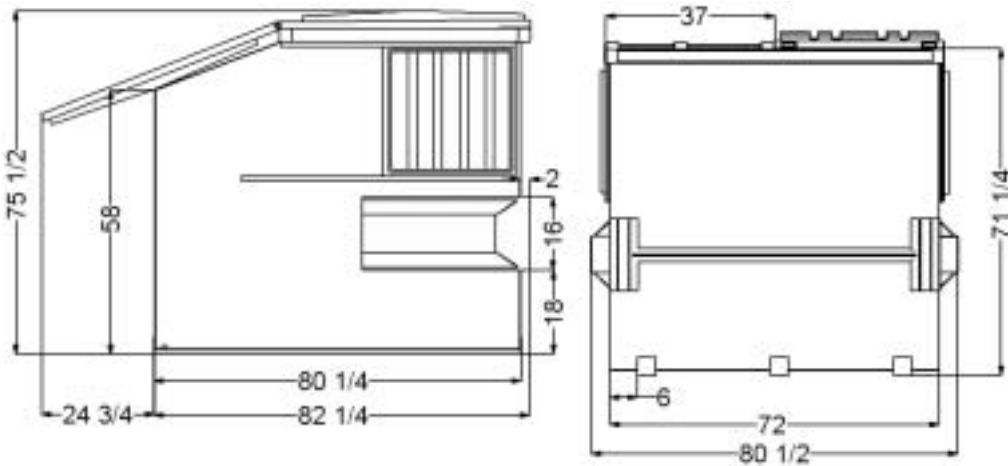
6 Yard Sliding Door

SPECIFICATIONS	LIGHTWEIGHT	STANDARD	HEAVY DUTY	SUPER HEAVY DUTY
Floors	12 gauge	10 gauge	7 gauge	7 gauge
Walls	12 gauge	12 gauge	10 gauge	7 gauge
Front, Rear and Side Top Rails	10 gauge	10 gauge	10 gauge	7 gauge
Lift Pocket	10 gauge	10 gauge	10 gauge	7 gauge
Blunderbuss	10 gauge	10 gauge	10 gauge	7 gauge
Lift Pocket Gussets	Full Length Top and Bottom	Full Length Top and Bottom	Full Length Top and Bottom	Full Length Top and Bottom
Lid Brackets	1/2" Sch. 40 pipe 1/4" bracket	1/2" Sch. 40 pipe 1/4" bracket	1/2" Sch. 40 pipe 1/4" bracket	1/2" Sch. 40 pipe 1/4" bracket
Door Track Channel	10 gauge	10 gauge	10 gauge	7 gauge
Floor Support	3" Structural Channel Full Length	3" Structural Channel Full Length	3" Structural Channel Full Length	3" Structural Channel Full Length
Lids-Plastic	Double Wall	Double Wall	Double Wall	Double Wall
Weight (pounds)	941	987	1,217	1,482

- Centrally located for efficient shipping
- Discounts available on quantity orders
- Units primed and painted with industrial enamel paint
- Caution and Danger Labels included

CALL TODAY FOR INFORMATION TOLL FREE 888-826-5401

VULCAN MANUFACTURING, INC.
 1007 W. North St. • Salina, Kansas 67401 • Fax 785-825-1996
 sales@vmidumpsters.com • www.vmidumpsters.com



8 Yard Sliding Door Trash Dumpster

8 Yard Sliding Door

SPECIFICATIONS	LIGHTWEIGHT	STANDARD	HEAVY DUTY	SUPER HEAVY DUTY
Floors	12 gauge	10 gauge	7 gauge	7 gauge
Walls	12 gauge	12 gauge	10 gauge	7 gauge
Front, Rear and Side Top Rails	10 gauge	10 gauge	10 gauge	7 gauge
Lift Pocket	10 gauge	10 gauge	10 gauge	7 gauge
Blunderbuss	10 gauge	10 gauge	10 gauge	7 gauge
Lift Pocket Gussets	Full Length Top and Bottom	Full Length Top and Bottom	Full Length Top and Bottom	Full Length Top and Bottom
Lid Brackets	1/2" Sch. 40 pipe 1/4" bracket	1/2" Sch. 40 pipe 1/4" bracket	1/2" Sch. 40 pipe 1/4" bracket	1/2" Sch. 40 pipe 1/4" bracket
Door Track Channel	10 gauge	10 gauge	10 gauge	7 gauge
Floor Support	3" Structural Channel Full Length	3" Structural Channel Full Length	3" Structural Channel Full Length	3" Structural Channel Full Length
Lids-Plastic	Double Wall	Double Wall	Double Wall	Double Wall
Weight (pounds)	1,063	1,113	1,373	1,675

- Centrally located for efficient shipping
- Discounts available on quantity orders
- Units primed and painted with industrial enamel paint
- Caution and Danger Labels included

CALL TODAY FOR INFORMATION TOLL FREE 888-826-5401

VULCAN MANUFACTURING, INC.
 1007 W. North St. • Salina, Kansas 67401 • Fax 785-825-1996
 sales@vmidumpsters.com • www.vmidumpsters.com